

Quick Installation

| Light Weight

| Silent Operation



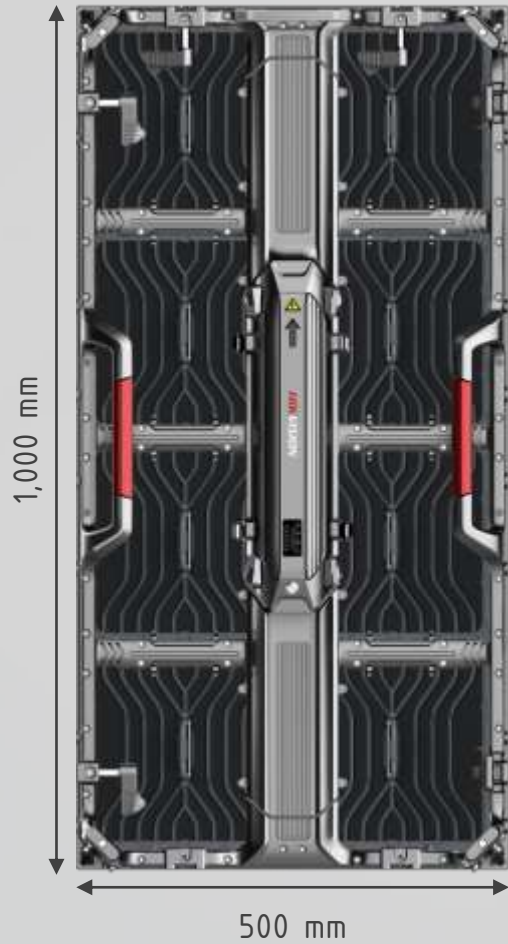
Contents

1. Product Overview
2. Key Functions and Features
3. Product Specifications



01 Product Overview





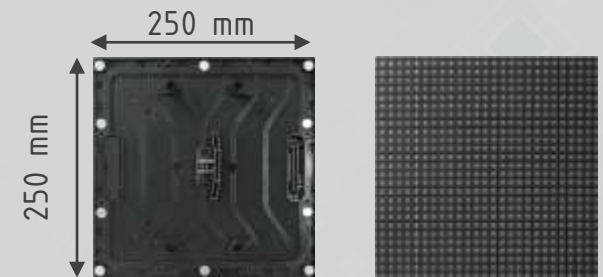
DS-D42xxRI-CQFL DS-D42xxRO-CQL

CQ(FL) series LED cabinet is Hikvision's new generation rental LED featuring quick installation & uninstallation, slim and lightweight design, and silent operation. It's suitable for temporary video wall application scenarios like concerts, commercial events, sports events, etc.

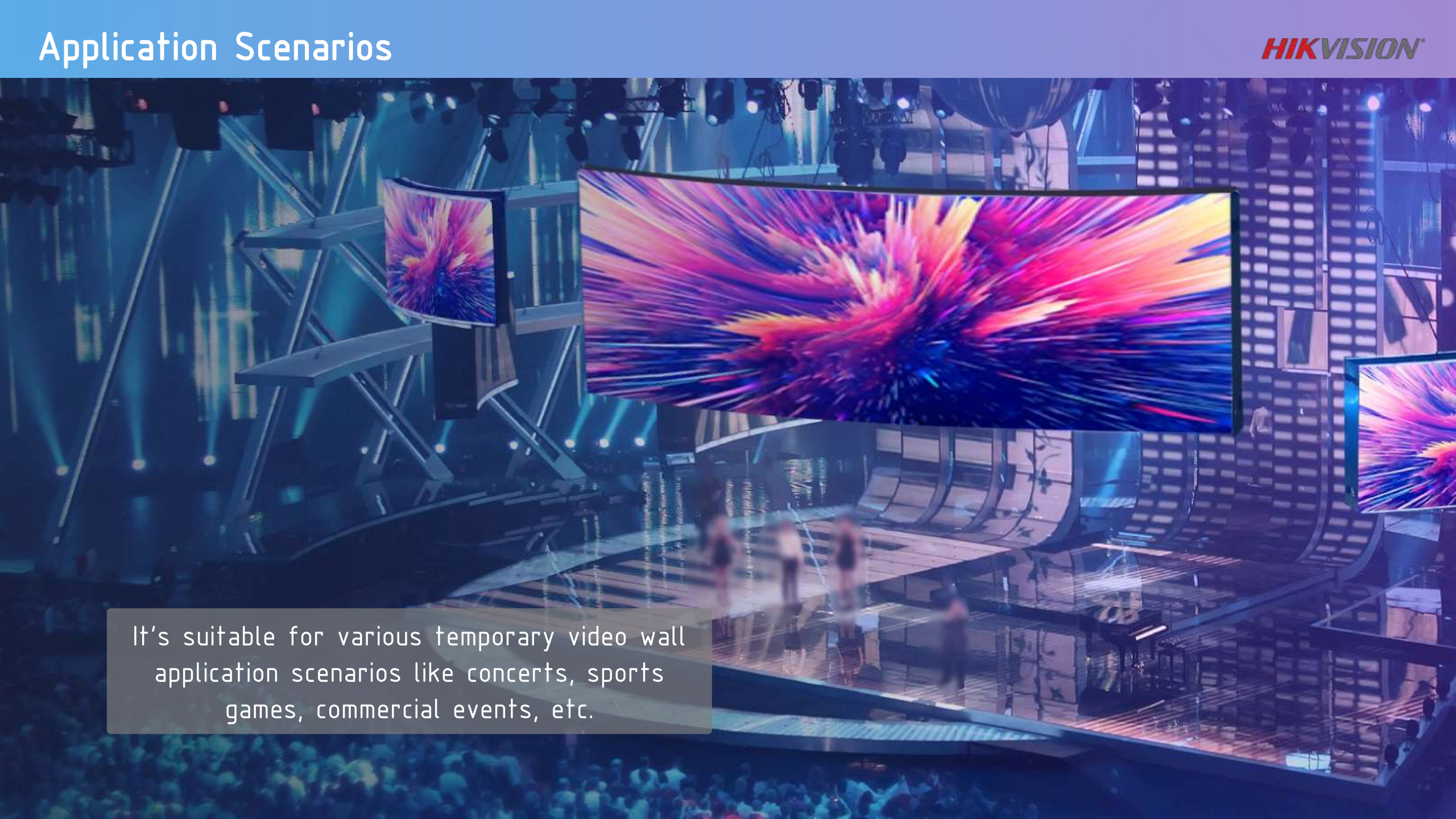
- **Certifications:** CE-EMC, CE-LVD, CB-LVD and RoHS certifications
- **Size:** CQ&CQF are 500 × 500 mm size while CQL&CQFL are 500 × 1,000 mm size.



DS-D42xxRI-CQF DS-D42xxRO-CQ



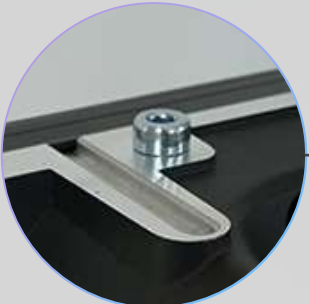
LED Module



It's suitable for various temporary video wall application scenarios like concerts, sports games, commercial events, etc.

02 Key Functions and Features





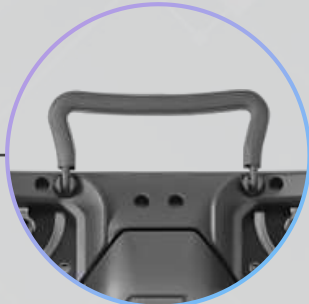
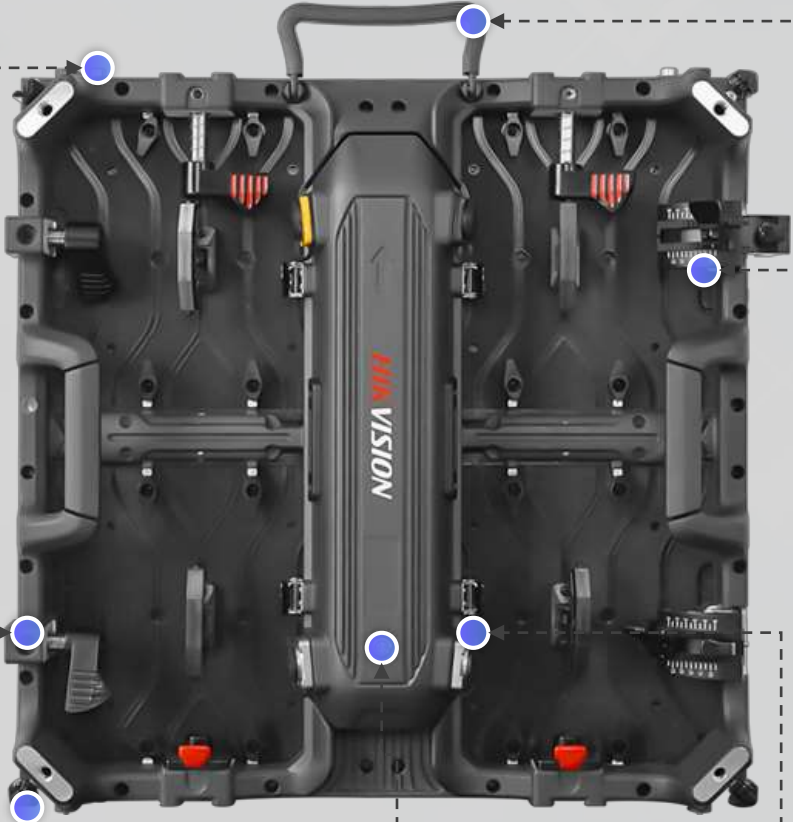
Positioning Pin



Instant Lock



Corner Protector



Handle



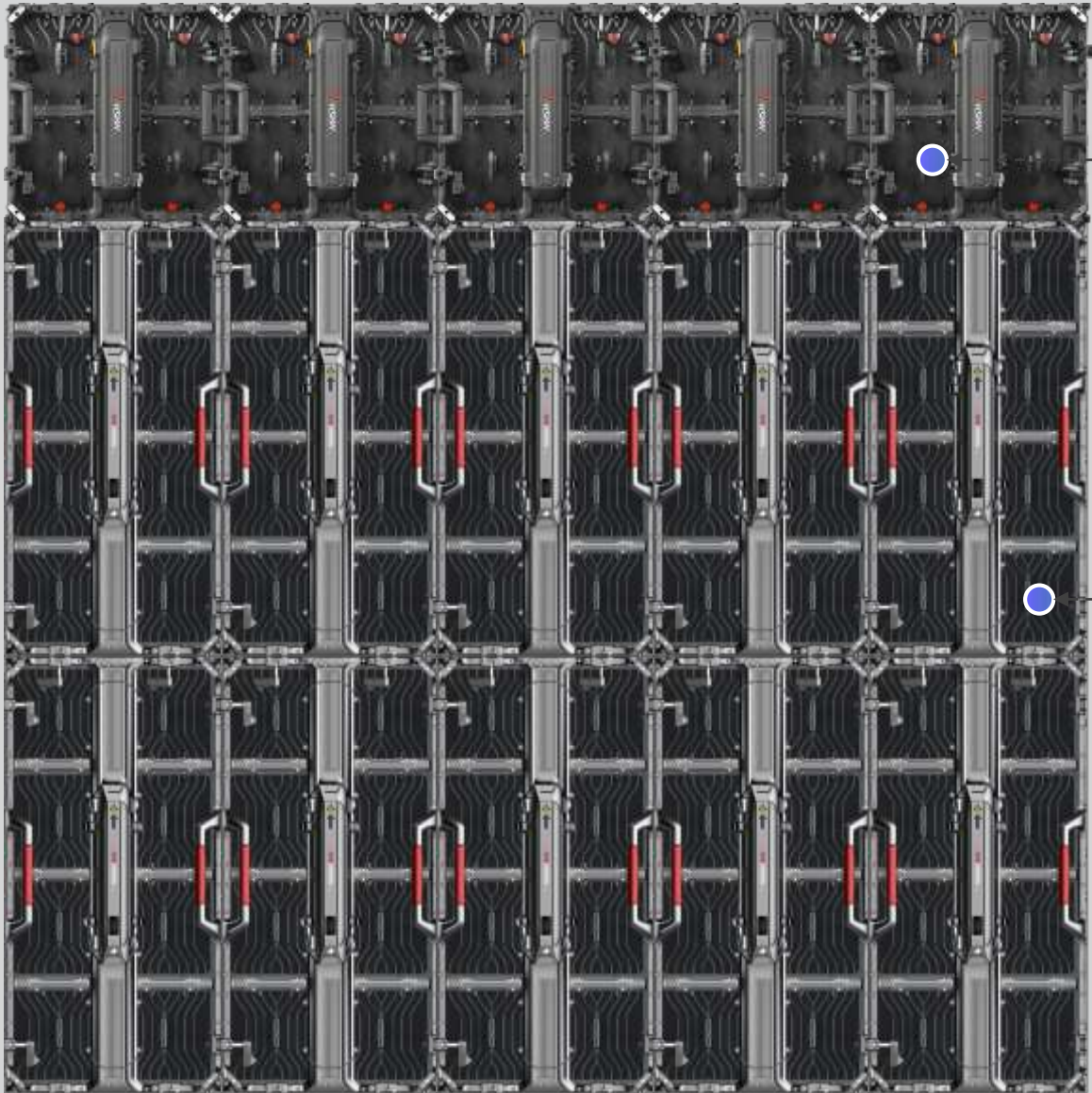
Curve Lock



Power Button



Waterproof Aviation Plug



500 x 500 mm cabinets

- More flexible in splicing size.

500 x 1000 mm cabinets

- More cost effective in unit area price.

- Higher installation and uninstallation efficiency.

The 500 × 500 mm size model and the 500 × 1,000 mm size model of the same pixel pitch can be mixed together to splice a video wall.

Ultra Lightweight and Slim Design

HIKVISION

One person can easily lift the cabinet, ensuring easy installation and good splicing quality.



Ultra lightweight

500 × 500 mm model ≤ 7.5 Kg

500 × 1,000 mm model ≤ 13 Kg



High Refresh Rate

HIKVISION

Hikvision CQ(FL) series LED cabinet adopts high-end driving IC, and can achieve up to 3,840Hz high refresh rate, ensuring no display defects like flickering, ghosting or scanning lines.



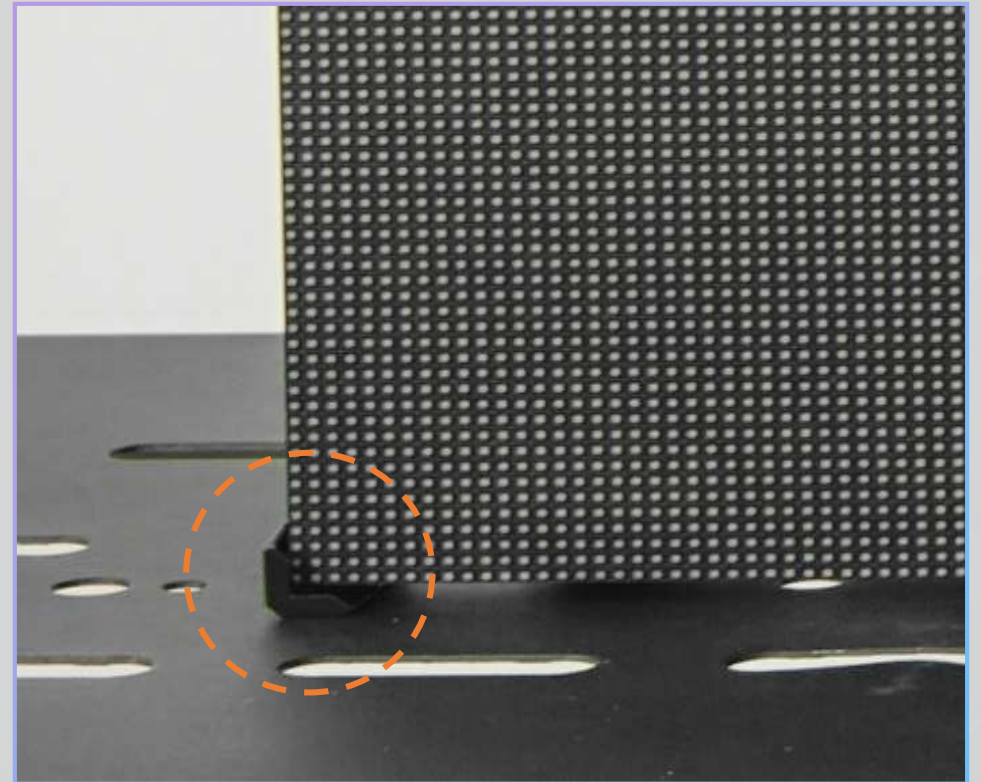
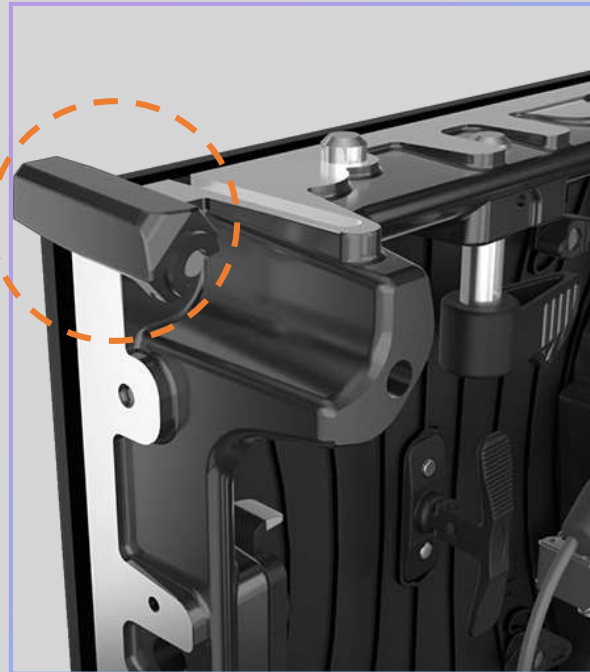
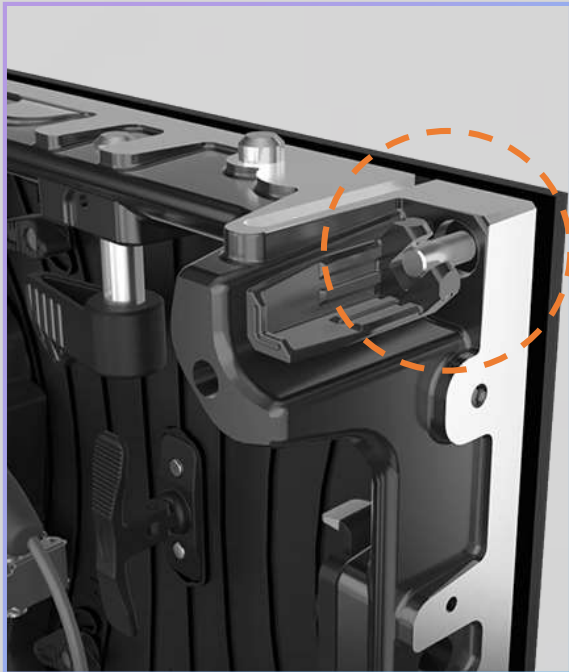
▲ Display defects on low refresh rate LED cabinets



▲ No display defects on high refresh rate LED cabinets

Detachable Corner Protector

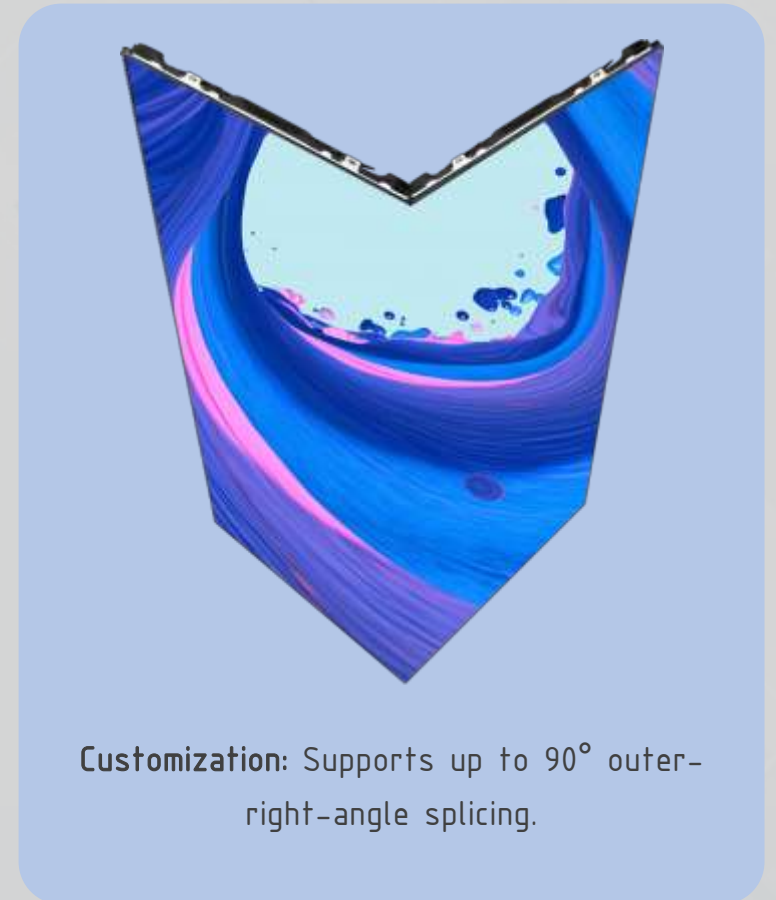
There are detachable protective covers on the corners of the CQ(FL) cabinets. For the LED cabinets at the bottom left and right sides, they can prevent the cabinet contacting the ground directly, thus protecting the lamp beads.



The curve lock and cut-edge design helps to achieve curve splicing.



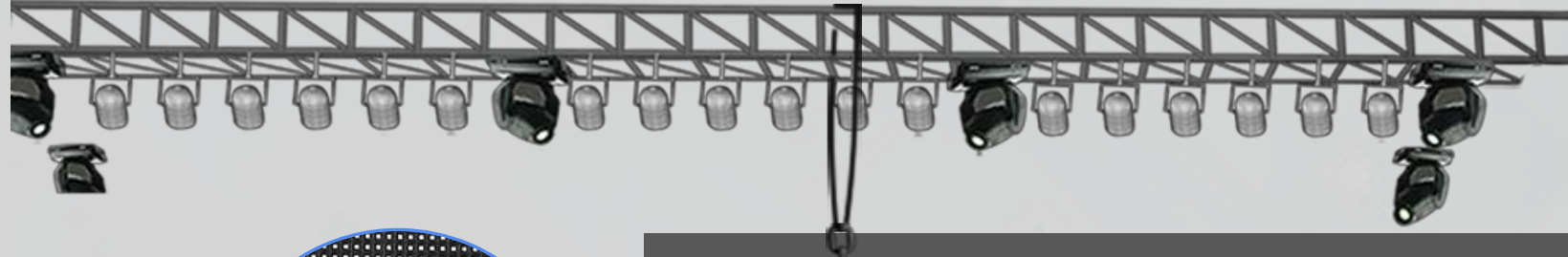
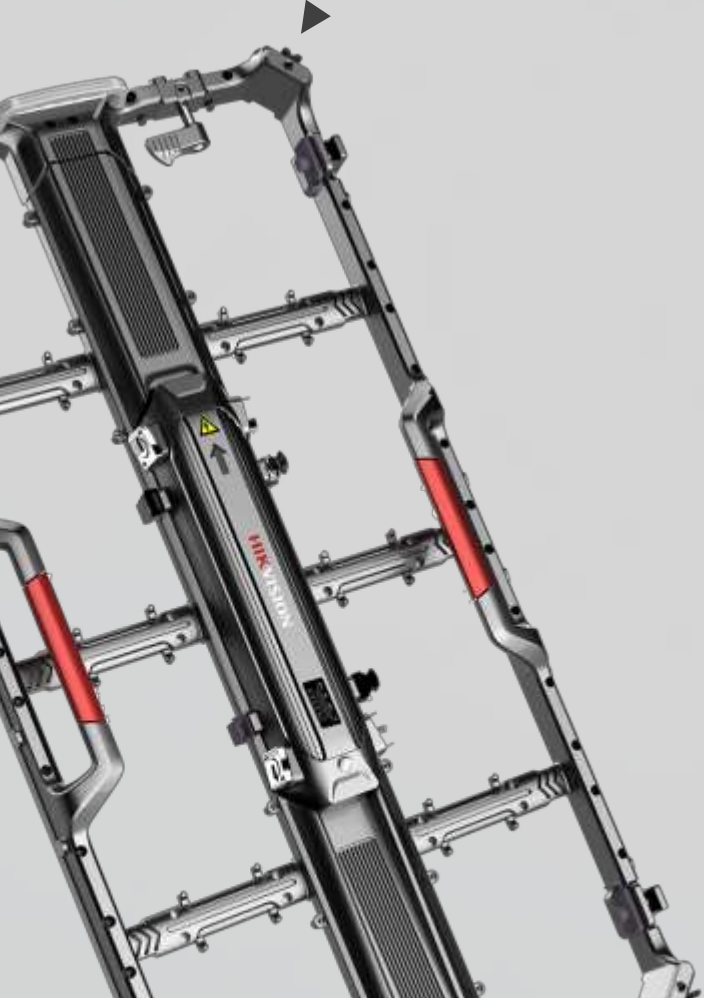
Baseline: Supports up to 10° outer-curve and 15° inner-curve splicing.



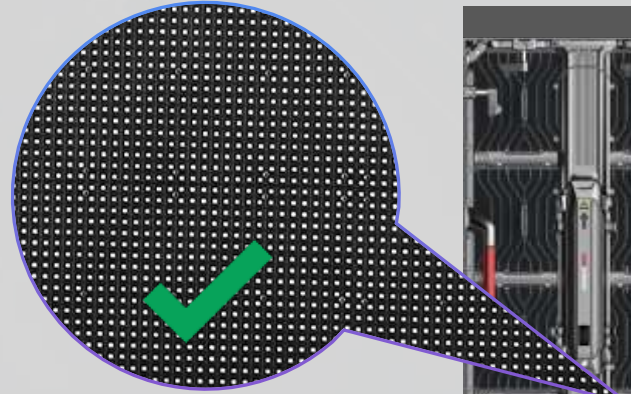
Customization: Supports up to 90° outer-right-angle splicing.

Accurate Splicing

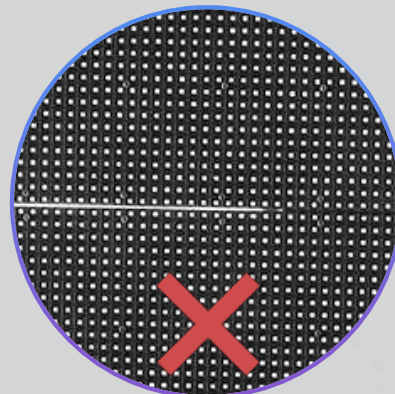
High-strength die-casting aluminum cabinet frame, lightweight, high strength, good toughness, ensuring perfect splicing flatness.



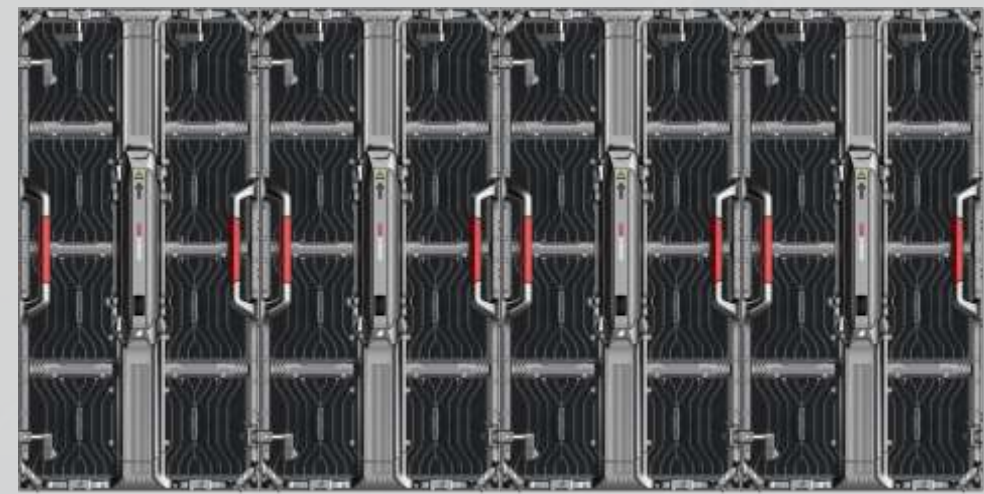
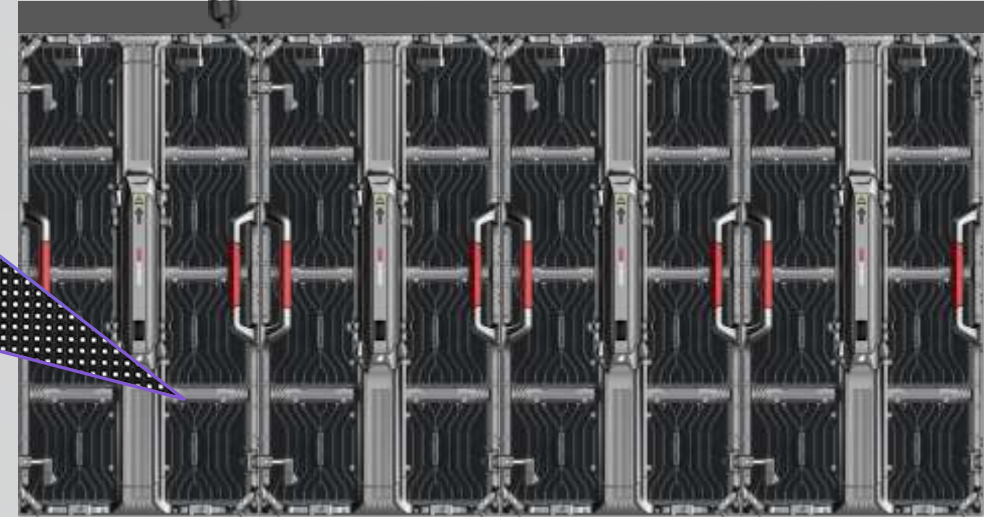
Undistorted cabinet and seamless splicing

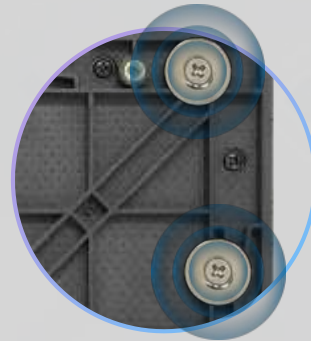


Support up to 10 rows hoisting mounting



Light leakage seam





Magnetic Column



Knob Lock

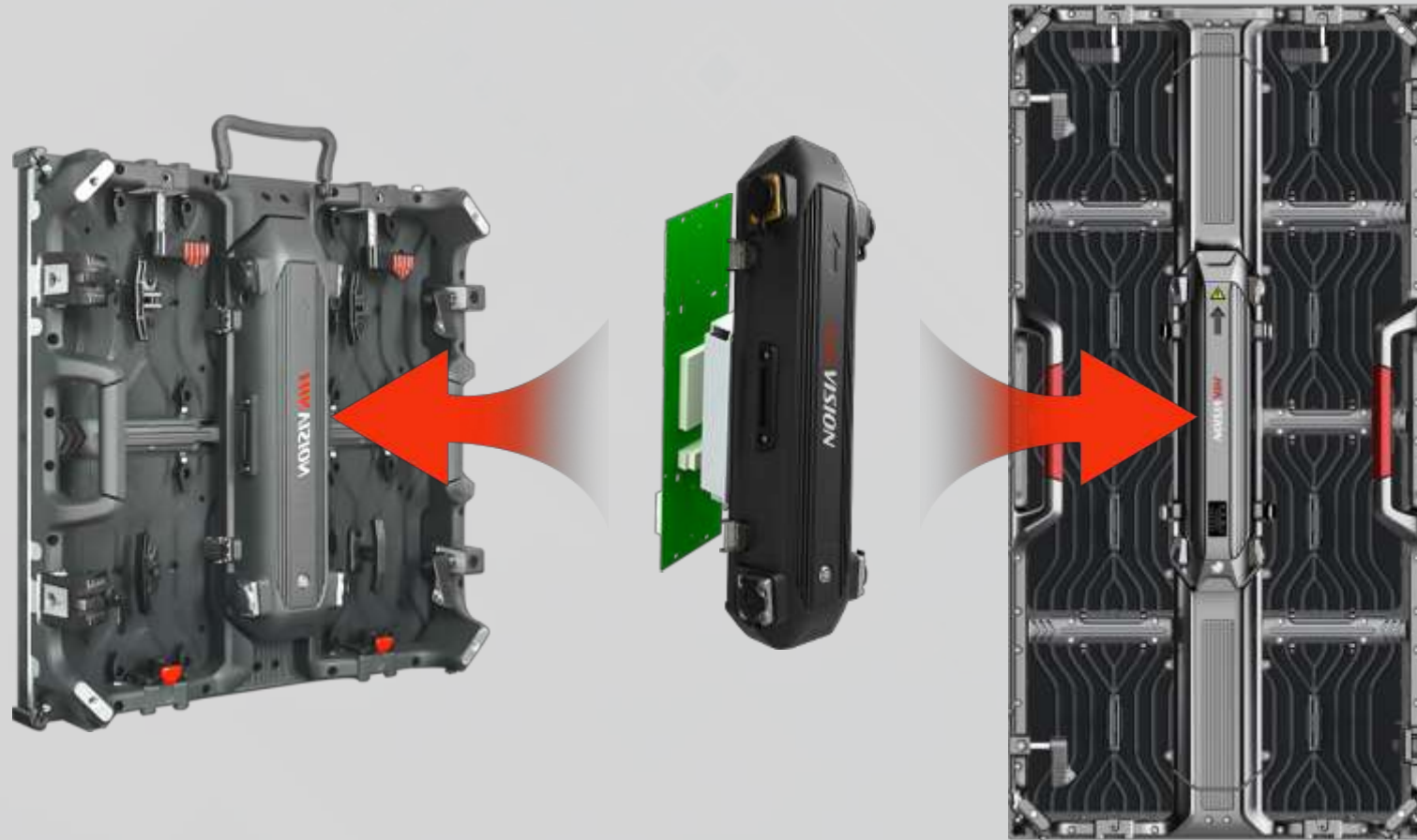


The LED modules adopt magnetic column and knob lock design, realizing quick installation & uninstallation



Fanless design, noise level $\leq 40\text{dB}$ for super silent user experience.

Detachable Mini Power Supply Unit



Both the 500×500mm and 500×1,000mm cabinets use the same detachable mini power supply unit, which saves installation and project delivery time.

03 Product Specifications



