

Panasonic

BUSINESS

AW-UE4WG [White Model]
AW-UE4KG [Black Model]
4K Integrated Camera

For indoor use

Compact 4K PTZ Camera equipped with an ultra-wide-angle lens with a 111° field of view and perfect for fixed point shooting



HDMI, LAN and USB output-compatible compact 4K PTZ Camera equipped with an ultra-wide-angle lens with a 111° field of view



Suspended (Hanging) Style



Stand-alone (Desktop) Style

The compact 4K PTZ Camera is equipped with an ultra-wide-angle lens with a 111° field of view to capture the entire scene. The unit supports PoE* supply and can be powered via USB from a computer to realize a single cable solution for video transmission, camera control and power supply. The camera is perfect for a wide range of applications including lecture capturing, video conferencing and e-Sports live streaming.

* Abbreviation of Power over Ethernet.

4K Integrated Camera

AW-UE4WG
AW-UE4KG



High-Quality 4K/30p Video Output

Supports 3840x2160/30p 4K video output and a variety of other formats for use in a wide range of environments.

* HDMI output requires PoE HUB or AC adaptor (5W/1A or more).

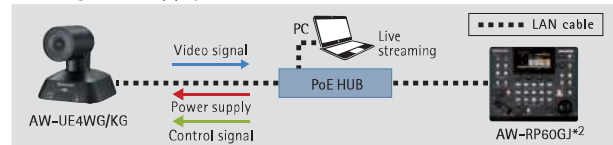
Output format

4K	2160/30p, 2160/29.97p, 2160/25p
HD	1080/60p, 1080/59.94p, 1080/50p, 1080/30p, 1080/29.97p, 1080/25p
	720/60p, 720/59.94p, 720/50p

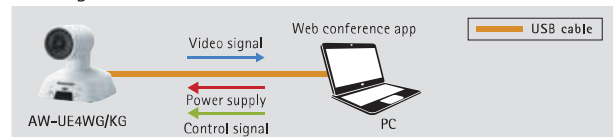
Single Cable Solution

In addition to PoE*¹ supply, power supply from a computer via USB cable is also supported to enable operation without connecting an AC adaptor, realizing a single cable solution for video transmission, camera control and power supply.

Using PoE Supply



Using as a USB Camera



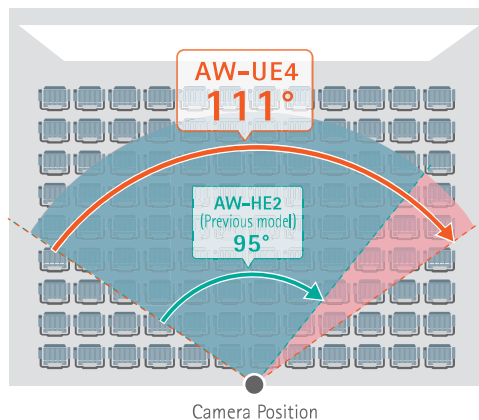
*1: Abbreviation of Power over Ethernet.

*2: However, Slow Shutter, LDC, Priority Mode, Mirror, Language settings cannot be controlled.

Ultra-Wide-Angle Lens with a 111° Field of View

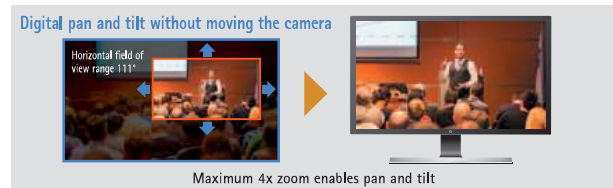
Equipped with an ultra-wide-angle lens with a 111° field of view to capture every part of even the largest spaces and transmit wide-angle video in limited installation space.

The 111° Field of View



ePTZ

Equipped with digital zoom for magnification up to four times to capture distant subjects clearly. Once images are zoomed in, digital pan/tilt is available, offering flexibility to shoot from different angles.

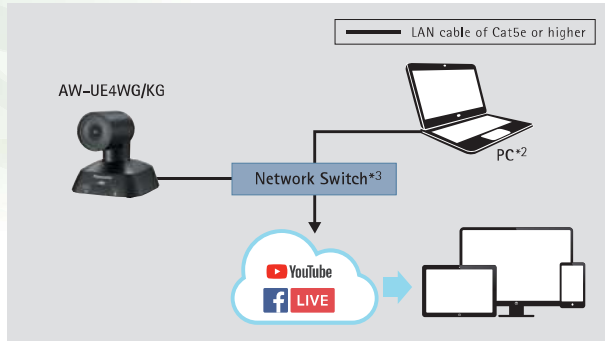


* Images are simulated.

RTMP/RTMPS*1

Supports RTMP/RTMPS*1 for direct upload and streaming of video on services such as YouTube Live or Facebook Live. Video can be uploaded and streamed directly from the camera to live streaming services.

RTMP/RTMPS Connection



*1: RTMP: Real-Time Messaging Protocol, RTMPS: Real-Time Messaging Protocol Secure.
*2: A computer is required for connection to the streaming server.
*3: PoE support.

Rear View



Specifications

As of October, 2020

[General]

Power Requirements:	DC 5 V±5 % (4.75 V to 5.25 V)
PoE:	IEEE802.3af standard: DC37 V to 57 V (camera)
Current Consumption:	1.0A (USB input), 0.2A (PoE power supply)
Ambient Operating Temperature:	0 °C to 40 °C (32 °F to 104 °F)
Ambient Operating Humidity:	20 % to 90 % (no condensation)
Storage Temperature:	-20 °C to 50 °C (-4 °F to 122 °F)
Weight:	Approx. 0.5 kg (1.1 lb) (excluding mount bracket)
Dimensions (W x H x D):	123 mm x 131 mm x 139 mm (4-53/64 inches x 5-5/32 inches x 5-29/64 inches) (excluding protrusions, mount bracket)
Finish:	AW-UE4WG:White AW-UE4K G:Black
Controller Supported:	AW-RP60GJ*1, AW-RM50G

[Camera Unit]

Imaging Sensors:	1/2.5-type MOS
Lens:	F2.4 (f=2.21 mm, 35 mm conversion: 13.4 mm)
Digital Zoom:	4x
Field of View Range:	LDC*2 Off: Horizontal field of view 111°, vertical field of view 75°, diagonal field of view 120° LDC*2 On: Horizontal field of view 108°, vertical field of view 75°, diagonal field of view 116°
Focus:	Single focus
Focus Distance:	700 mm
Minimum Illumination:	4 lx (conditions: 50 IRE, gain 42 dB, shutter speed 1/60)
Horizontal Resolution:	HDMI output: 4K format: 1,400 TV lines typ (center area) HDMI output: HD format: 900 TV lines typ (center area)
ePTZ Angle:	2x digital zoom: Pan approx. ± 34°, tilt approx. ± 21° 4x digital zoom: Pan approx. ± 45°, tilt approx. ± 30°
Gain selection:	Auto, 0 to 42 dB *Can be set in 3 dB increments
Electronic Shutter Speed:	<ul style="list-style-type: none"> Full Auto Mode with Slow Shutter On / Shutter Priority Mode / Manual Mode 1/1, 1/2, 1/5, 1/10, 1/20, 1/30, 1/60, 1/120, 1/240, 1/480, 1/1000, 1/2000, 1/4000, 1/8000, 1/16000 [60 Hz/59.94 Hz] 1/1, 1/2, 1/5, 1/10, 1/20, 1/25, 1/50, 1/100, 1/250, 1/500, 1/1000, 1/2000, 1/4000, 1/8000, 1/16000 [50 Hz] Full Auto Mode with Slow Shutter Off 1/60, 1/120, 1/240, 1/480, 1/1000, 1/2000, 1/4000, 1/8000, 1/16000 [60 Hz/59.94 Hz] 1/50, 1/100, 1/250, 1/500, 1/1000, 1/2000, 1/4000, 1/8000, 1/16000 [50 Hz]
White Balance:	ATW, AWB A, AWB B, 3200 K, 5600 K
Chroma Amount Variability:	11 steps (0 to 10)

[Internal Mic]

Internal Mic:	Stereo microphone
Audio On/Off:	Available (mute function)
ALC Function:	Available

[Output]

HDMI*3*4:	HDMI connector, 4:4:4/8 bit
-----------	-----------------------------

[Input/Output]

LAN:	LAN terminal for IP control (RJ-45)
USB:	Type-C terminal

[USB Web Camera Unit]

Video Output:	USB Video Class Ver1.1
Video Output Format:	YUV (uncompressed), MJPEG, H.264
Resolution:	YUV 640 x 360 MJPEG 3840 x 2160, 1920 x 1080, 1280 x 720, 640 x 360 H.264 3840 x 2160, 1920 x 1080, 1280 x 720, 640 x 360
Frame Rate:	YUV [60 Hz/59.94 Hz]:15fps [50 Hz]:10fps MJPEG [60 Hz/59.94 Hz]:30fps*5/15fps*6/5fps [50 Hz]:25fps*5/10fps*6/5fps H.264 [60Hz/59.94Hz]:60fps*5, 30fps, 15fps, 5fps [50Hz]:50fps*5, 25fps, 10fps, 5fps
Audio Output:	USB Audio Class Ver1.0
Audio Compression Format:	Linear PCM, 48 kHz/16 bit/2 ch

[IP Streaming]

Video Compression Format:	MJPEG (HTTP), H.264 (RTSP/RTMP/RTMPS), H.265 (RTSP)
Resolution:	MJPEG 1280 x 720, 640 x 360 H.264/H.265 3840 x 2160, 1920 x 1080, 1280 x 720, 640 x 360
Frame Rate:	MJPEG Max. 30fps (25fps)*6 H.264 [60 Hz/59.94 Hz]:5fps/15fps/30fps/60fps (4K up to 30fps) [50 Hz]:5fps/10fps/25fps/50fps (4K up to 25fps) H.265 [60 Hz/59.94 Hz]:5fps/15fps/30fps/60fps (4K up to 30fps) [50 Hz]:5fps/10fps/25fps/50fps (4K up to 25fps)
Streaming Bitrate:	MJPEG Not specified*6 H.264 RTSP/RTMP:1024kbps to 32768kbps RTMPS:1024kbps to 8192kbps H.265 1024kbps to 32768kbps
Audio Compression Format:	AAC-LC, 48 kHz/16 bit/2 ch
Supported Protocol:	IPv4 TCP/IP, UDP/IP, HTTP, RTSP, RTP, RTMP/RTCP, DHCP, DNS, ICMP, ARP, RTMP, RTMPS IPv6 TCP/IP, UDP/IP, HTTP, RTSP, RTP, RTMP/RTCP, DNS, ICMPv6

[Pan-tilt Unit]

Installation Method:	Stand-alone (Desktop) or suspended (Hanging)*7
Panning Range:	±110° (manual)
Tilting Range:	±25° (manual)

[Camera Control]

IP Connecting Cable:	<ul style="list-style-type: none"> When a PoE ethernet hub is used: LAN cable*8 (category 5e or above), max. 100 m (328 ft) When a PoE ethernet hub is not used: LAN cable*8 (category 5 or above), max.100 m (328 ft)
----------------------	--

[Standard Accessories]

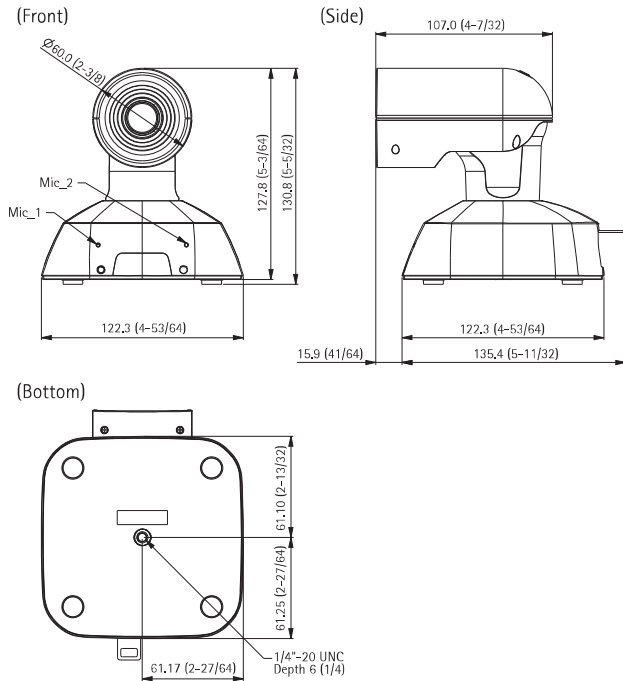
USB Cable: 1, Drop-prevention wire: 1, Mount kit: 1, L-Mount kit: 1, Tripod screw (I-head type, 1/4 x 20 UNC): 1, M4 screw (10 mm length): 4, M4 screw (5 mm length): 4

● For PC operating and communication environments, see Service and Support on the Panasonic website, <https://pro-av.panasonic.net/en/>

*1: However, Slow Shutter, LDC, Priority Mode, Mirror, Language settings cannot be controlled. *2: LDC is the abbreviation for Lens Distortion Correction. *3: HDCP not supported. *4: VIERA Link not supported. *5: Excluding 3840 x 2160. *6: JPEG and H.264, H.265 simultaneous operation supported. *7: To ensure safety, the unit must be secured using the mount bracket supplied. *8: STP (Shielded Twisted Pair) recommended.

Dimensions

Unit:mm (inches)



Optional Products

Remote Camera Controller
AW-RP60GJ*



● Separate AC adaptor or PoE HUB required.

Wireless remote control
AW-RM50G



*However, Slow Shutter, LDC, Priority Mode, Mirror, Language settings cannot be controlled.

Compatible Third-Party Equipment

NETGEAR, Inc
ProSAFE® 8-Port 10/100/1000 PoE+ Smart Switch
with 2 Gigabit SFP Ports

GS510TPP
* Operation-verified in Mar. 2020



PoE+

Third-Party Inquiries <NETGEAR, Inc> <http://www.netgear.com/home/contact-us/>

* The terms HDMI and HDMI High-Definition Multimedia Interface, and the HDMI Logo are trademarks or registered trademarks of HDMI Licensing Administrator, Inc. in the United States and other countries.
* "YouTube" and the "YouTube logo" are registered trademarks of Google Inc.
* "Facebook" is a registered trademark of Facebook, Inc.

Panasonic®

Panasonic Corporation
Connected Solutions Company

2-15 Matsuba-cho, Kadoma, Osaka 571-8503 Japan



Factories of AVC Networks Company have received ISO14001:2004-the Environmental Management System certification, (Except for 3rd party's peripherals.)



For more information, please visit Panasonic web site
<https://pro-av.panasonic.net/en/qr/>



Broadcast and Professional AV Website



Contact Information



Facebook



Mobile App